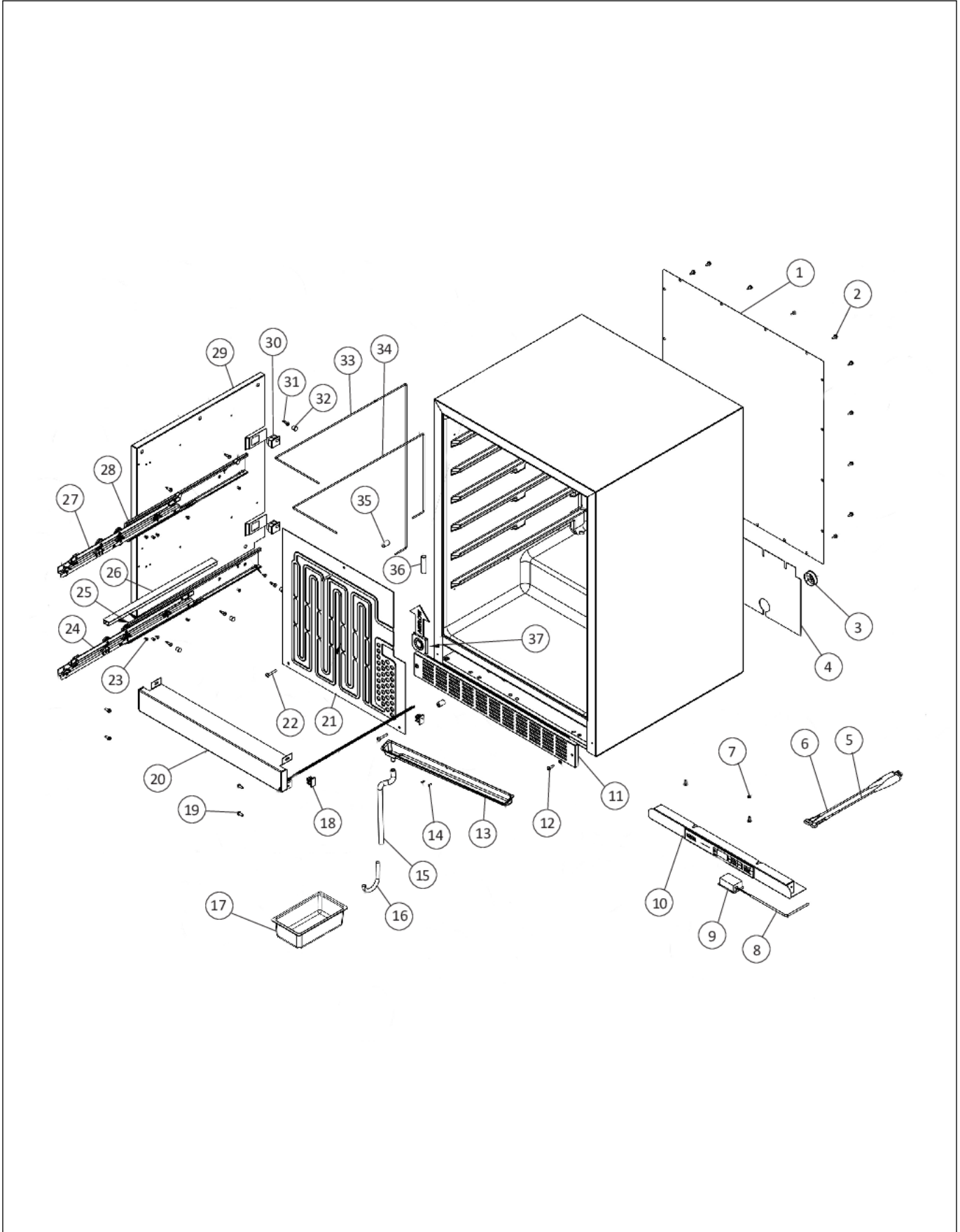


VURD1441DAFTER9-25-2009

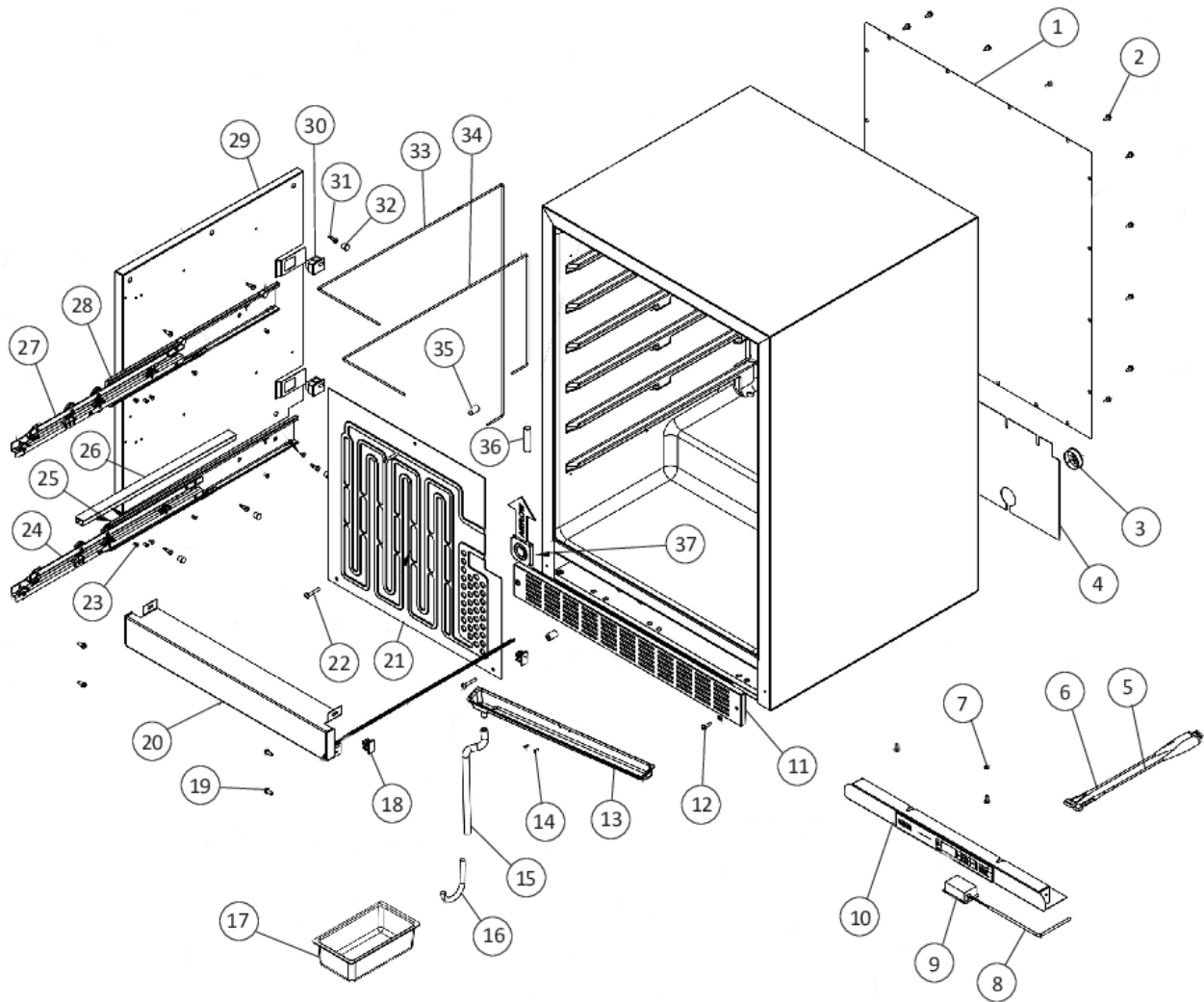
CABINET	1
DRAWERS	2
MECHANICAL	3
Appendix A:Pages Index	A
Appendix B:Parts Index	B

CABINET





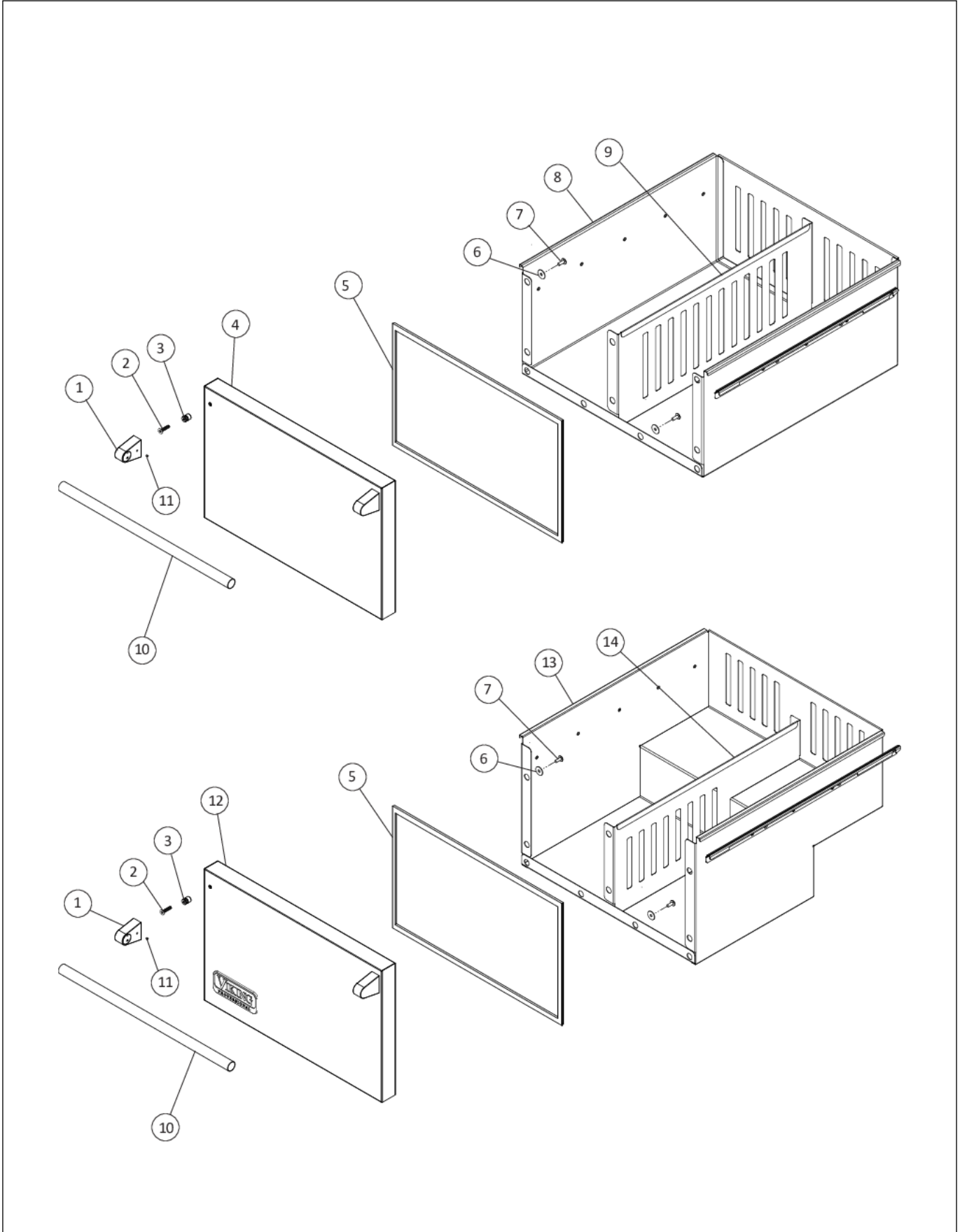
Item	Part No.	Name	Qty	Uom	NOTES
1	022915-000	BACK PANEL	1	EA	
2	022914-000	#10 X 1/2 TYPE F SCREW SS	24	EA	
3	022354-000	Heyco Bushing	1	EA	
4	028691-000	ACCESS COVER	1	EA	
5	009484-000	DISPLAY TEMPERATURE THERMISTOR	1	EA	
6	009483-000	EVAPORATOR TEMPERATURE THERMISTOR	1	EA	
7	022358-000	THERMAL CUT-OUT N.O. 60 DEGREES	1	EA	Not available online / Call for pricing and availability
8	022866-000	RDE LIGHT HARNESS	1	EA	
9	022867-000	LED LIGHT	1	EA	NO LONGER AVAILABLE, Not available online / Call for pricing and availability
10	022868-000	U/I DISPLAY HOUSING	1	EA	
11	028892-000	STAINLESS STEEL GRILLE	1	EA	NO LONGER AVAILABLE, Not available online / Call for pricing and availability
12	022922-000	#10 x 1" Phillips Pan Head Screw	2	EA	
13	022455-000	DRIP PAN	1	EA	
14	022401-000	POP RIVET #AD43ABS ALUMINUM	2	EA	
15	PW220009	DRAIN TUBE J-TRAP (42242901)	1	EA	
16	022460-000	øJø TRAP	1	EA	
17	022869-000	DRIP TRAY	1	EA	Not available online / Call for pricing and availability
18	022359-000	FASTEX CLAMP	2	EA	
19	022914-000	#10 X 1/2 TYPE F SCREW SS	4	EA	
20	028510-000	CROSS PIECE ASSEMBLY	1	EA	
21	PS100122	EVAPORATOR ASSEMBLY	1	EA	
22	022872-000	#10-32 MACHINE SCREW	3	EA	
23	022874-000	COUNTERSUNK POP RIVET	22	EA	





Item	Part No.	Name	Qty	Uom	NOTES
24	022875-000	DRAWER SLIDE WL, 500MM (SHOWN)	1	EA	
24	022876-000	DRAWER SLIDE WR, 500MM	1	EA	
25	022877-000	DRAWER SLIDE CL, 500MM (SHOWN)	1	EA	
25	022878-000	DRAWER SLIDE CR, 500MM	1	EA	
26	022350-000	WIRE CONDUIT	2	EA	
27	022851-000	DRAWER SLIDE WL, 450MM (SHOWN)	1	EA	
27	022852-000	DRAWER SLIDE WR, 450MM	1	EA	
28	022853-000	DRAWER SLIDE CL, 450MM (SHOWN)	1	EA	
28	022854-000	DRAWER SLIDE CR, 450MM	1	EA	
29	022855-000	LINER SHIELD, LEFT SIDE (SHOWN)	1	EA	
29	022856-000	LINER SHIELD, RIGHT SIDE	1	EA	
30	022857-000	LIGHT SWITCH	2	EA	
31	022473-000	#10 X .5 TYPE AB SHEET METAL SCREW, ZN	12	EA	
32	022859-000	HEYCO SNAP PLUG	12	EA	
33	022861-000	SWITCH HARNESS	1	EA	
34	022860-000	SWITCH HARNESS	1	EA	
35	022862-000	3/4" SPACER	3	EA	
36	022863-000	CAP	2	EA	
37	009747-000	EVAPORATOR FAN	1	EA	
NI	009482-000	COMMUNICATION CABLE	1	EA	

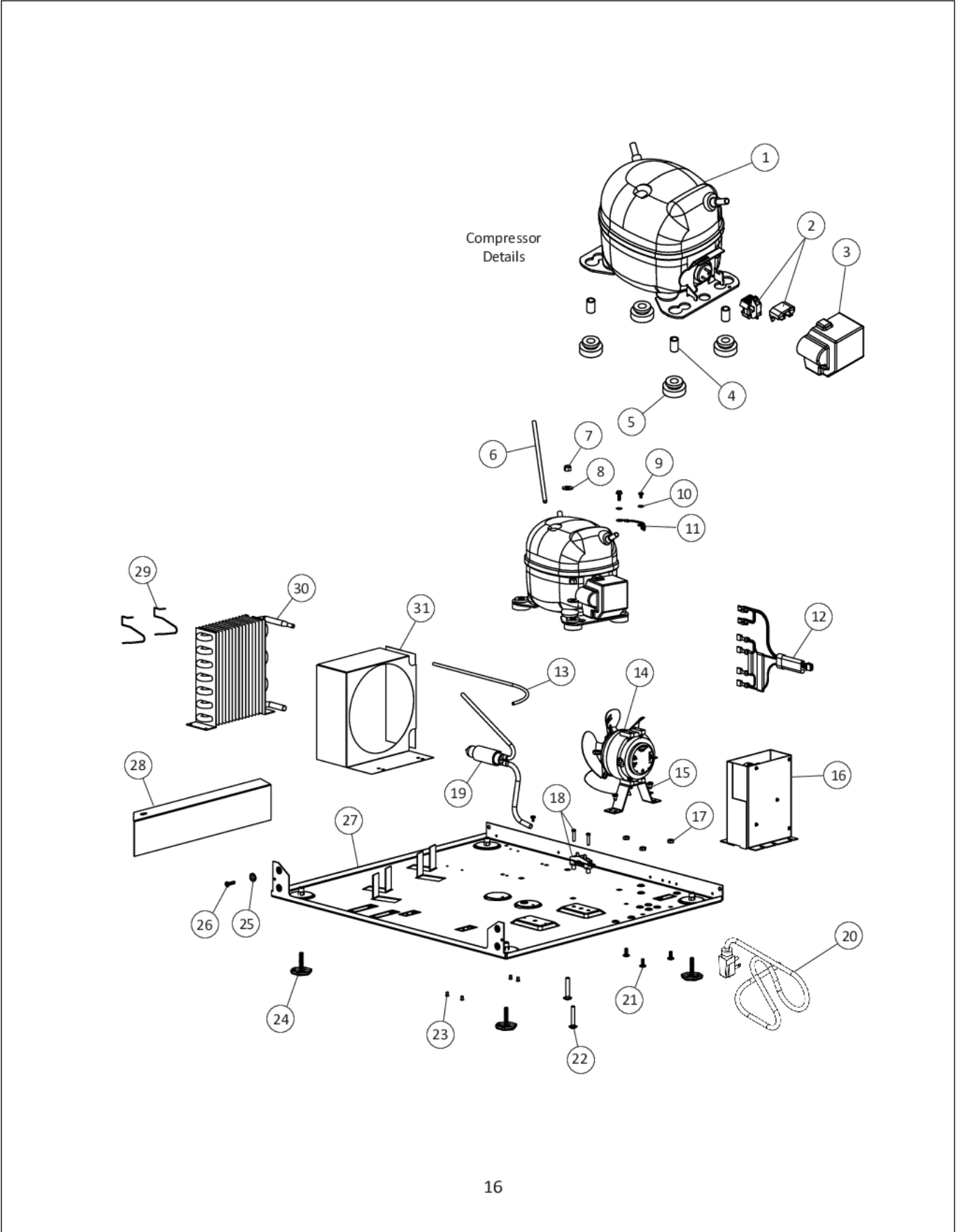
DRAWERS





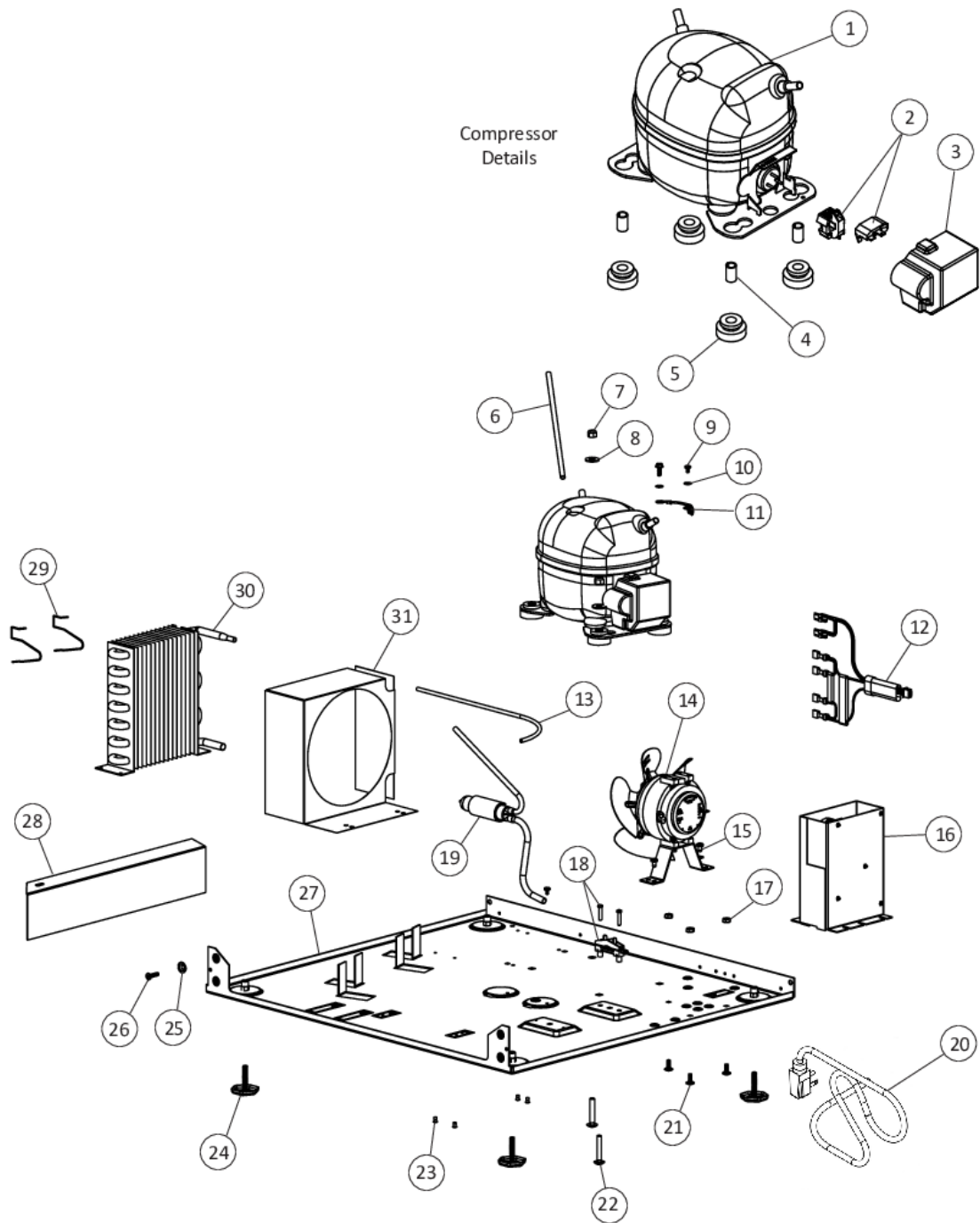
Item	Part No.	Name	Qty	Uom	NOTES
1	022438-000	STANDOFF TOP	4	EA	
2	022434-000	#10-32 X 1 1/2 TRUSS HEAD MACHINE SCREW	4	EA	Not available online / Call for pricing and availability
3	009521-000	STANDOFF STUD	4	EA	Not available online / Call for pricing and availability
4	028511-000	COMPLETE DRAWER FRONT, WITH HANDLE AND GASKET	1	EA	
5	PS100095	DOOR GASKER - BK	2	EA	
6	022846-000	WASHER, STAINLESS STEEL	20	EA	
7	022820-000	#10-32 x 1/2" Truss Head Screw, Stainless Steel	20	EA	
8	022890-000	UPPER DRAWER, WHITE, WITH DIVIDER	1	EA	
9	022888-000	UPPER DRAWER DIVIDER, WHITE	1	EA	
10	022850-000	HANDLE TUBE	2	EA	
11	009644-000	SET SCREW	4	EA	
12	028512-000	COMPLETE DRAWER FRONT, WITH HANDLE AND GASKET	1	EA	
13	022892-000	LOWER DRAWER, WHITE, WITH DIVIDER	1	EA	
14	022894-000	LOWER DRAWER DIVIDER, WHITE	1	EA	

MECHANICAL





Item	Part No.	Name	Qty	Uom	NOTES
1	028378-000	COMPRESSOR	1	EA	
2	022948-000	OVERLOAD PROTECTOR ASSEMBLY	1	EA	
3	022886-000	COVER	1	EA	
4	022912-000	Sleeve	4	EA	
5	022908-000	Grommet	4	EA	
6	022406-000	PROCESS TUBE, 1/4 X 10ø	1	EA	
7	022395-000	1/4-20 Hex Lock Nut	4	EA	
8	022388-000	Flat Washer	4	EA	
9	022883-000	#8-21X1/4 Screw Phillips Pan Head	3	EA	
10	022358-000	THERMAL CUT-OUT N.O. 60 DEGREES	3	EA	Not available online / Call for pricing and availability
11	PW300137	Ground Wire	1	EA	Not available online / Call for pricing and availability
12	022882-000	HARNESS LED LIGHTS, ALPHA	1	EA	
13	022364-000	TUBING, .188 OD X 14 IN	1	EA	
14	028484-000	CONDENSER FAN ASSEMBLY	1	EA	
15	022879-000	#10-32 x 5/16" Phillips Pan Head Screw	2	EA	
16	009511-000	ELECTRONIC CONTROL BOARD AND BRACKET ASM	1	EA	
17	022381-000	#10-24 Hex Nut	2	EA	
18	022380-000	Power Cord Clamp and 4mm x 20 mm screws	1	EA	
19	PW240003	DRIER ASSY VUWC140	1	EA	
20	PS100134	POWER CORD REF. DRAWER	1	EA	
21	022365-000	#10-24 x 1/2" Carriage Bolt	2	EA	
22	022815-000	1/4-20 x 1-1/4" Carriage Bolt	4	EA	
23	022401-000	POP RIVET #AD43ABS ALUMINUM	4	EA	
24	022366-000	LEG LEVELER	1	EA	
25	022403-000	#10 Countersunk Flatwasher	4	EA	
26	022252-000	10-32 X 3/4 COUNTERSUNK SCREW	4	EA	





Item	Part No.	Name	Qty	Uom	NOTES
27	022370-000	MECHANICAL BASEPLATE	1	EA	
28	028393-000	Air Baffle	1	EA	
29	022938-000	FAN SHROUD	2	EA	
30	028504-000	CONDENSER	1	EA	
31	022938-000	FAN SHROUD	1	EA	
NI	022373-000	WIRING HARNESS, COMPRESSOR	1	EA	



Appendix A:Pages Index

CABINET	1
DRAWERS	2
MECHANICAL	3



Appendix B:Parts Index

009482-000	1	022859-000	1
009483-000	1	022860-000	1
009484-000	1	022861-000	1
009511-000	3	022862-000	1
009521-000	2	022863-000	1
009644-000	2	022866-000	1
009747-000	1	022867-000	1
022252-000	3	022868-000	1
022350-000	1	022869-000	1
022354-000	1	022872-000	1
022358-000	1, 3	022874-000	1
022359-000	1	022875-000	1
022364-000	3	022876-000	1
022365-000	3	022877-000	1
022366-000	3	022878-000	1
022370-000	3	022879-000	3
022373-000	3	022882-000	3
022380-000	3	022883-000	3
022381-000	3	022886-000	3
022388-000	3	022888-000	2
022395-000	3	022890-000	2
022401-000	1, 3	022892-000	2
022403-000	3	022894-000	2
022406-000	3	022908-000	3
022434-000	2	022912-000	3
022438-000	2	022914-000	1, 1
022455-000	1	022915-000	1
022460-000	1	022922-000	1
022473-000	1	022938-000	3, 3
022815-000	3	022948-000	3
022820-000	2	028378-000	3
022846-000	2	028393-000	3
022850-000	2	028484-000	3
022851-000	1	028504-000	3
022852-000	1	028510-000	1
022853-000	1	028511-000	2
022854-000	1	028512-000	2
022855-000	1	028691-000	1
022856-000	1	028892-000	1
022857-000	1	PS100095	2
		PS100122	1



PS100134	3
PW220009	1
PW240003	3
PW300137	3